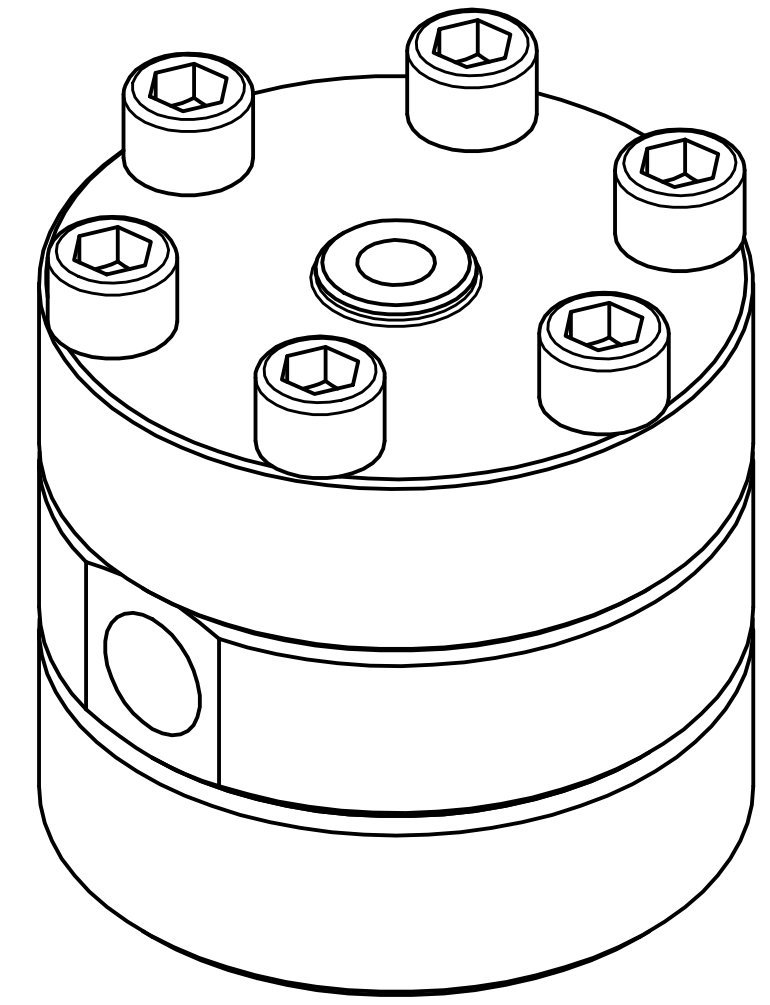
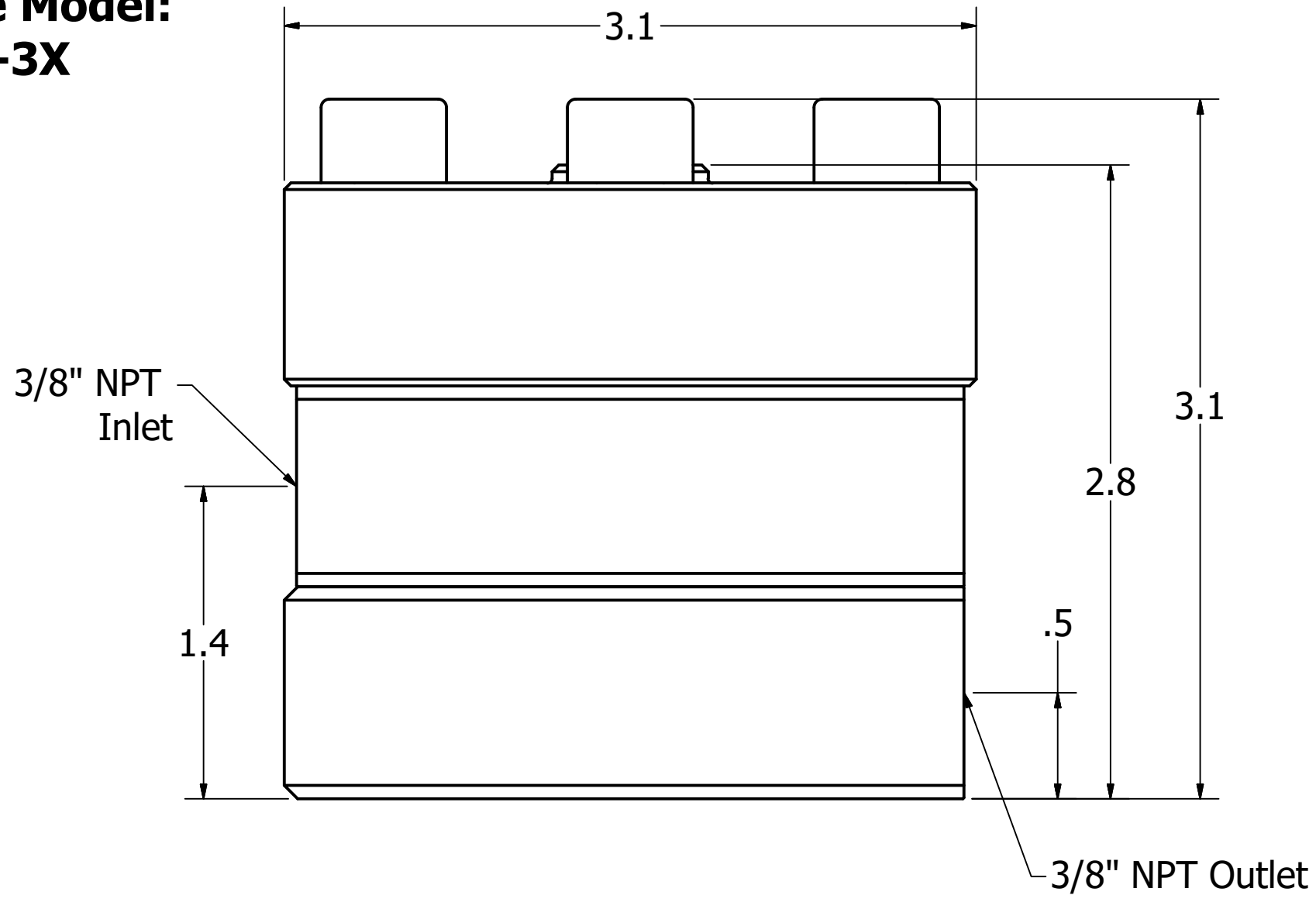
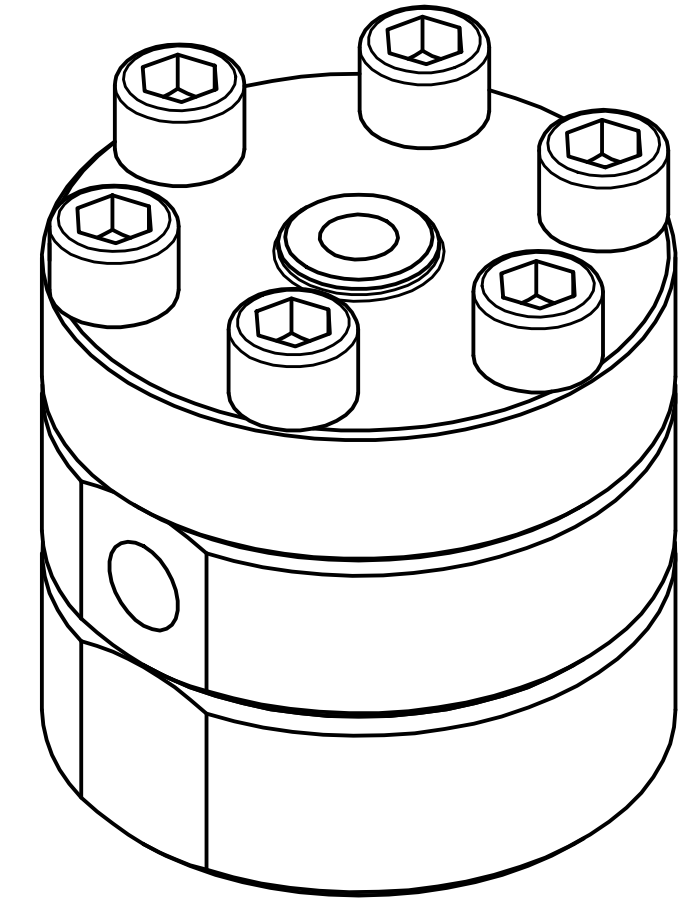
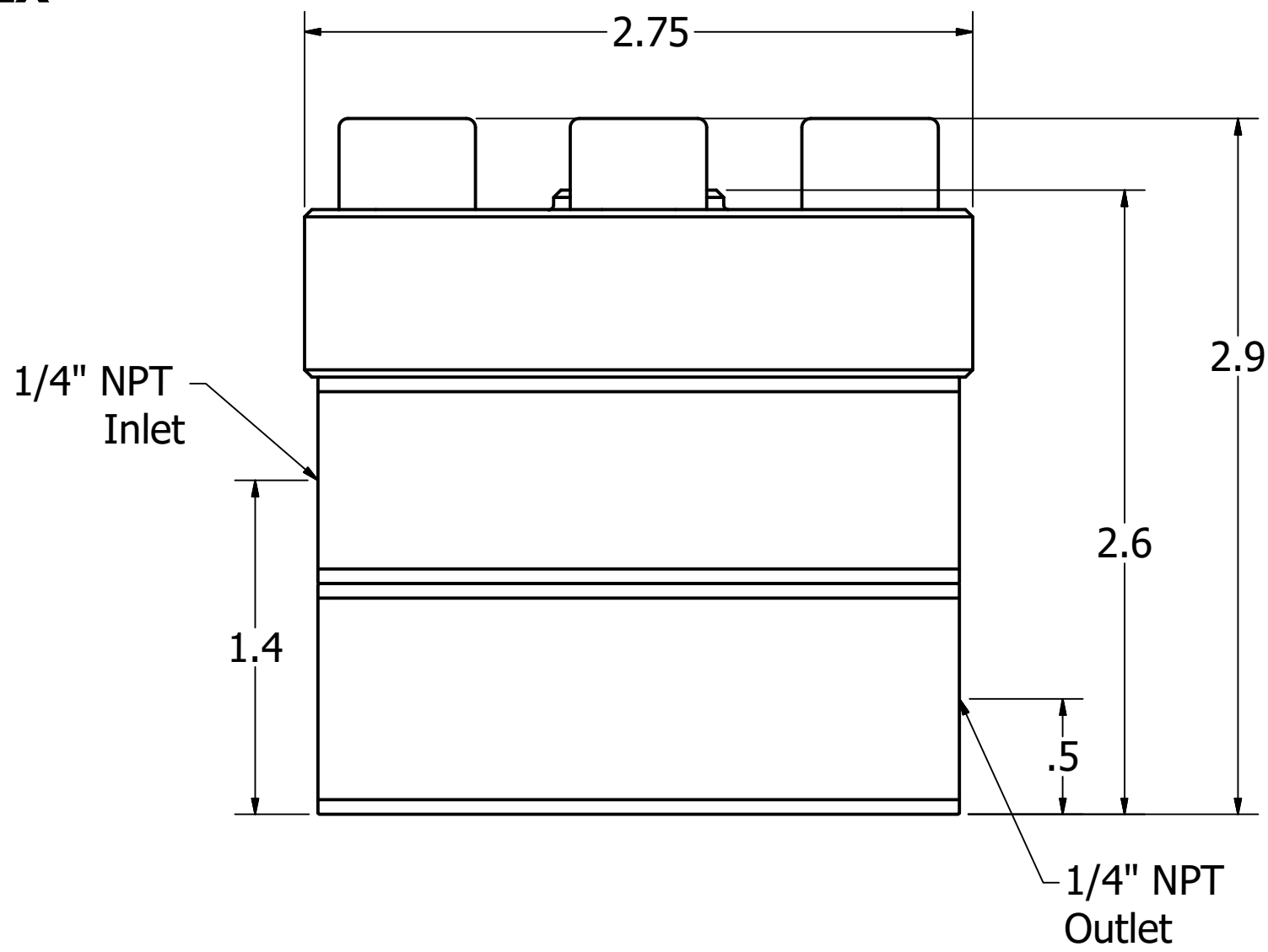


**Base Model:  
B6R-3X**



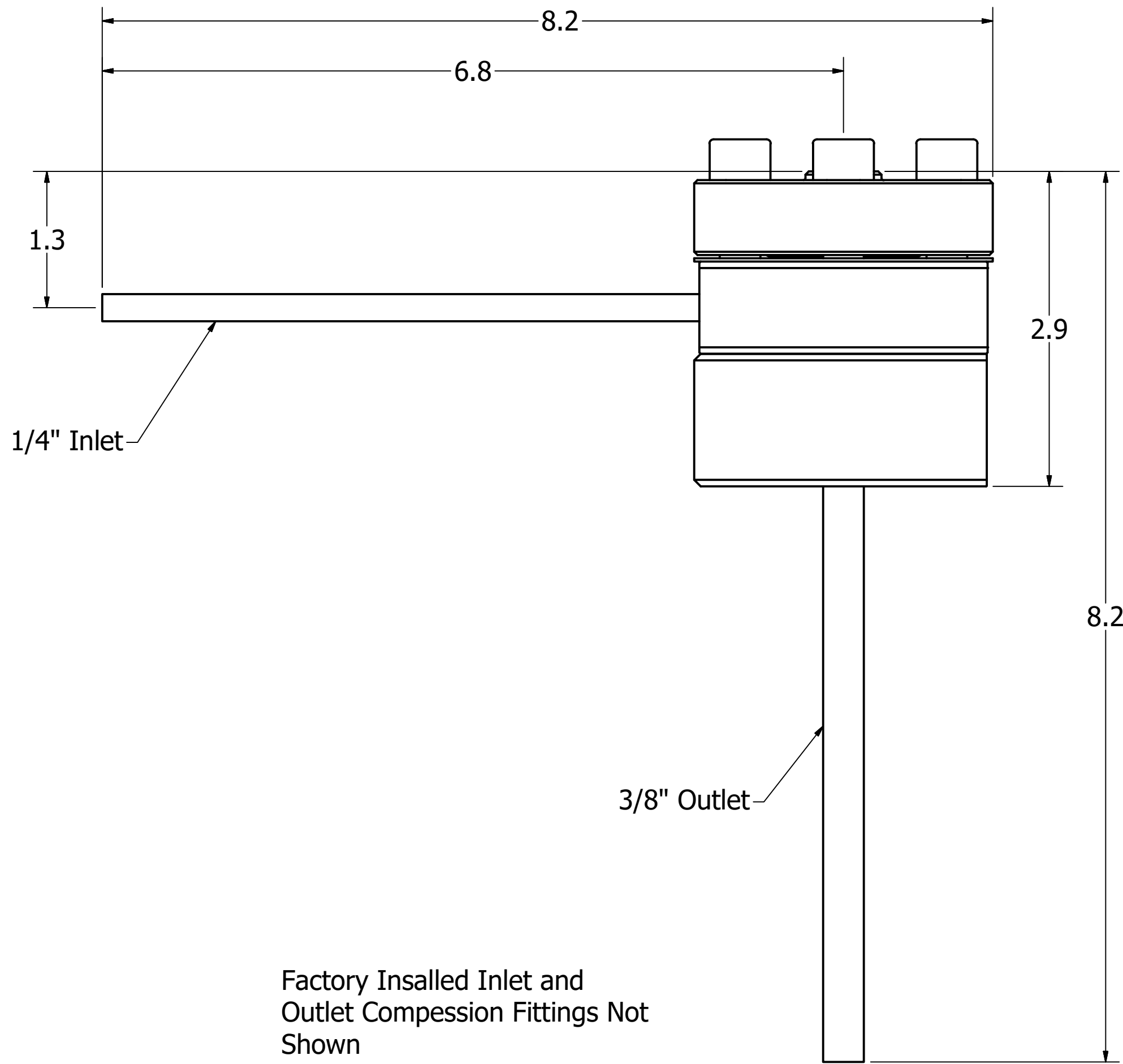
**Base Model:  
B6R-2X**



This drawing is the property of Equilibar, LLC, and may not be distributed or used for any purpose without written permission. Pressure regulator designs are protected by US Patent 6,886,591 and pending US and foreign patents.

DRAWN RH	11/7/2017	Equilibar LLC		
CHECKED		TITLE		
QA		B6R-XX External Assembly		
MFG		SIZE C	DWG NO B6R-XX External Assembly	REV R0a
APPROVED DR	11/7/2017	SCALE	SHEET 1 OF 2	

**Base Model: B6RT2**



Factory Insalled Inlet and  
Outlet Compession Fittings Not  
Shown

This drawing is the property of Equibar, LLC, and may not be distributed or used for any purpose without written permission. Pressure regulator designs are protected by US Patent 6,886,591 and pending US and foreign patents.

DRAWN RH	11/7/2017	Equibar LLC		
CHECKED		TITLE		
QA		B6R-XX External Assembly		
MFG				
APPROVED DR	11/7/2017	SIZE C	DWG NO B6R-XX External Assembly	REV R0a
		SCALE	SHEET 2 OF 2	

REVISION HISTORY				
ZONE	REV	DESCRIPTION	DATE	APPROVED
All	R0a	Updated	2/14/2019	TT